



RL 2800G (2V800Ah)

RL2800G is GEL standby battery with 18~20 years floating design life time .The solid Gel protects no way to suffer electrolyte stratification and ensure mild corrosion, its special separator eradicates infection between plates to prevent short circuit. it offers extra-durable performance under extreme temperature.

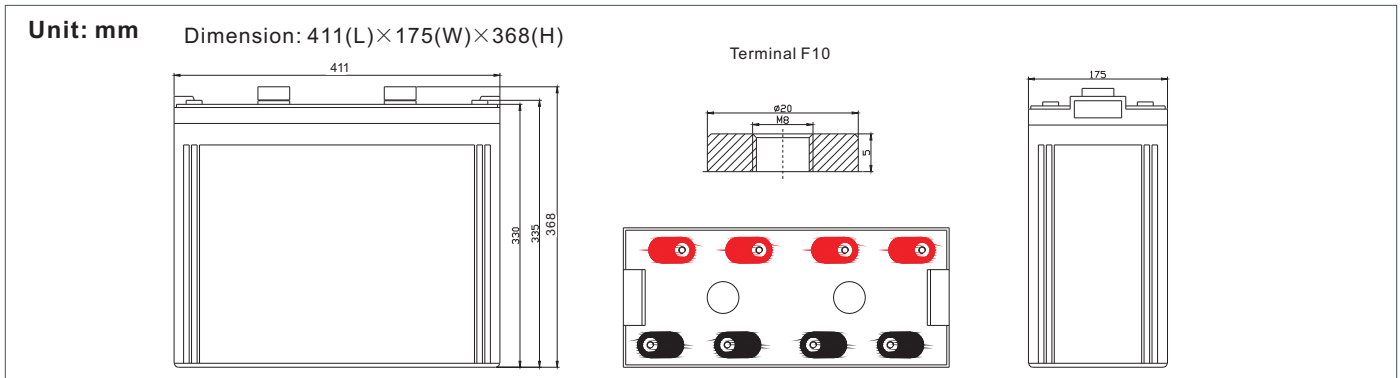


Specification

Cells Per Unit	1
Voltage Per Unit	2
Capacity	800Ah@20hr-rate to 1.75V per cell @25°C
Weight	Approx.50.0Kg
Max. Discharge Current	3200 A (5 sec)
Internal Resistance	Approx. 0.9 mΩ
Operating Temperature Range	Discharge: -40°C~60°C Charge: -20°C~50°C Storage: -40°C~60°C
Normal Operating Temperature Range	25°C±5°C
Float charging Voltage	2.27 to 2.3 VDC/unit Average at 25°C
Recommended Maximum Charging Current Limit	160 A
Equalization and Cycle Service	2.37 to 2.4 VDC/unit Average at 25°C
Self Discharge	RITAR Valve Regulated Lead Acid (VRLA) batteries can be stored for more than 6 months at 25°C. Self-discharge ratio less than 3% per month at 25°C. Please charge batteries before using.
Terminal	Thread insert & Bolt (F10)
Container Material	A.B.S. (UL94-HB), Flammability resistance of UL94-V1 can be available upon request.



Dimensions



Constant Current Discharge Characteristics : A(25°C)

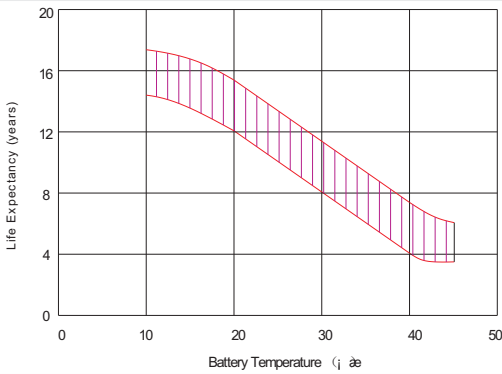
F.V/Time	15MIN	30MIN	1HR	2HR	3HR	4HR	5HR	6HR	8HR	10HR	20HR
1.60V	977.6	757.0	487.2	289.6	215.7	171.9	144.8	121.6	98.16	82.05	42.25
1.65V	929.6	726.8	466.0	279.0	206.6	165.9	138.8	118.7	93.77	79.12	40.75
1.70V	866.8	685.2	457.0	274.5	202.1	164.4	137.2	115.7	92.30	77.65	39.99
1.75V	769.5	609.0	420.8	259.4	191.5	155.3	131.2	109.9	89.37	76.19	39.24
1.80V	662.4	561.6	396.7	247.3	184.0	153.8	126.7	108.4	87.91	73.26	37.73
1.85V	560.2	505.6	366.5	233.8	175.0	141.8	120.7	102.6	83.51	70.33	36.22

Constant Power Discharge Characteristics : W(25°C)

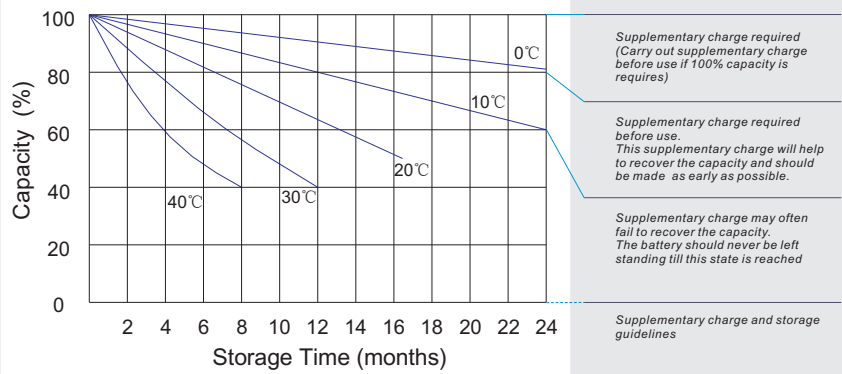
F.V/Time	15MIN	30MIN	1HR	2HR	3HR	4HR	5HR	6HR	8HR	10HR	20HR
1.60V	1711	1346	870.2	523.4	392.1	315.2	267.0	230.0	183.1	155.3	79.98
1.65V	1667	1339	867.2	515.8	390.6	312.2	263.9	227.1	181.7	153.8	79.23
1.70V	1574	1245	840.1	508.3	378.6	307.7	260.9	222.7	178.7	152.4	78.47
1.75V	1402	1122	784.3	485.6	365.0	297.1	250.4	212.4	174.4	148.0	76.21
1.80V	1214	1034	739.0	464.5	349.9	288.1	242.8	208.0	168.5	143.6	73.95
1.85V	1035	932.2	681.7	437.4	333.3	265.4	232.3	196.3	161.2	139.2	71.68

All mentioned values are average values.

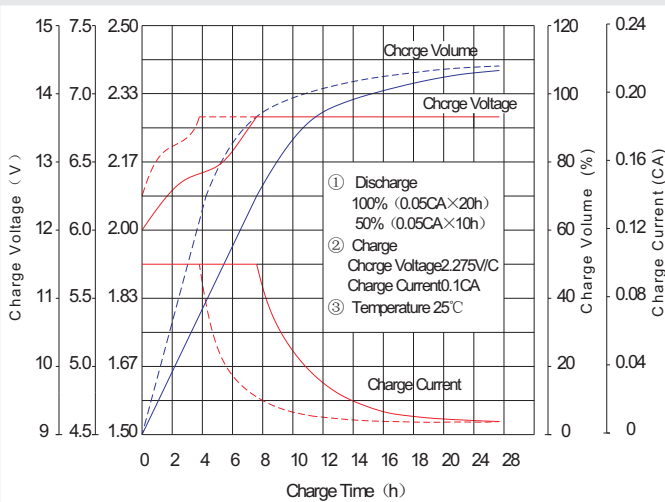
Effect of temperature on long term float life



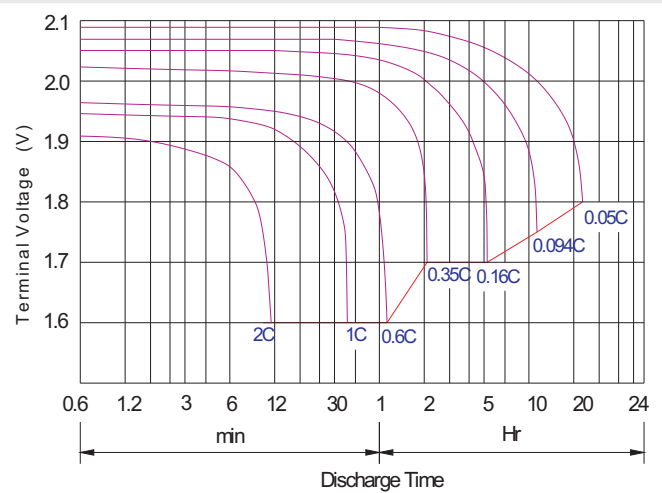
Storage characteristic



Charge characteristic Curve for standby use



Discharge characteristic Curve



Capacity Factors With Different Temperature

Battery Type		-20°C	-10°C	0°C	5°C	10°C	20°C	25°C	30°C	40°C	45°C
GEL Battery	6V&12V	50%	70%	83%	85%	90%	98%	100%	102%	104%	105%
	2V	60%	75%	85%	88%	92%	99%	100%	103%	105%	106%
AGM Battery	6V&12V	46%	66%	76%	83%	90%	98%	100%	103%	107%	109%
	2V	55%	70%	80%	85%	92%	99%	100%	104%	108%	110%

Discharge Current VS. Discharge Voltage

Final Discharge Voltage V/cell	1.75V	1.70V	1.60V
Discharge Current (A)	(A) ≤ 0.2C	0.2C < (A) < 1.0C	(A) ≥ 1.0C

Maintenance & Cautions

Float Service:
※ Every month, recommend inspection every battery voltage.
※ Every three months, recommend equalization charge for one time.
Equalization charge method:
Discharge: 100% rate capacity discharge.
Charge: Max. current 0.3CA, constant voltage 2.4-2.45V/Cell charge 24h.
※ Effect of temperature on float charge voltage: -3mV/°C/Cell.
※ Length of service life will be directly affected by the number of discharge cycles, depth of discharge, ambient temperature and charging voltage.

Charge the batteries at least once every six months, if they are stored at 25°C.

Charging Method:

Constant Voltage	-0.2Cx2h+2.40~2.45V,24h,Max. Current 0.2CA
Constant Current	-0.2Cx2h+0.1CAx12h
Fast	-0.2Cx2h+0.3CAx4.0h